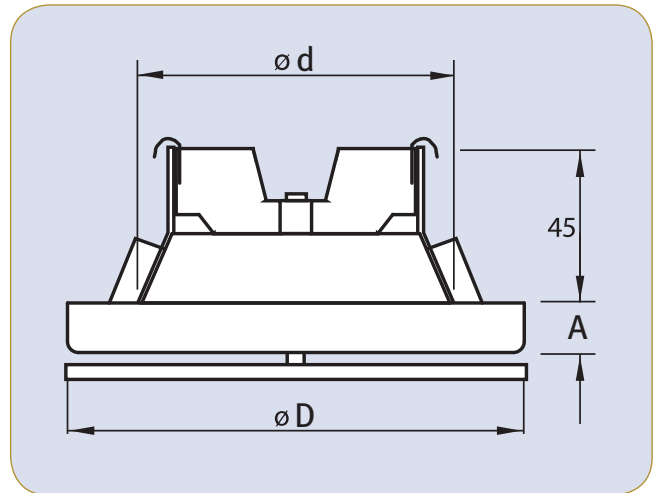


## SUPPLY AIR VALVES (SILENCING) SF-S



- Supply air valves designed for ceiling mounting on ventilation ducts
- Made of galvanized steel attenuated with sound-absorbing material
- Painted white (RAL 9010)
- Easy adjustment of air flow by rotating the central part
- Blocking nut allows for setting the minimum slot
- Special design of the rotary plate filled by attenuating material ensures low noise level
- High manufacturing quality and modern design
- The valves can be installed directly on a duct or plenum box
- Quick and easy installation
- Product has certificate of the National Hygiene Institute PZH

### SF-S AIR VALVES

Valve Dimensions	ØD (mm)	Ød (mm)	A (mm)
80	106	80	15
100	135	100	15
125	160	125	15
160	191	160	15
200	238	200	18

### SOUND ATTENUATION ΔL (dB)

	Medium band, Hz							
	63	125	250	500	1k	2k	4k	8k
SF-S 80	24	19	15	11	2	3	6	7
SF-S 100	22	17	13	10	2	2	7	8
SF-S 125	18	16	12	8	3	3	7	8
SF-S 160	18	15	11	9	4	5	7	9
SF-S 200	16	13	9	7	5	5	8	8

# CHARACTERISTICS OF SILENCING SUPPLY AIR VALVES SF-S

