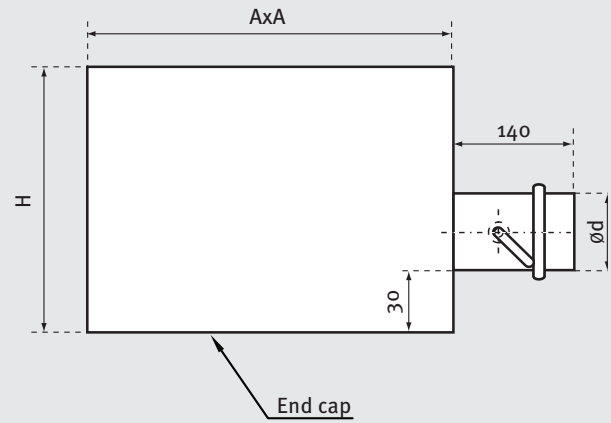
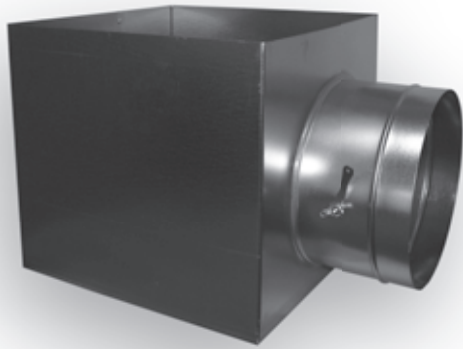


PLENUM BOX

SR-HB40



Box without a damper and insulation code:

SR-HB40

Box with a damper code: **SR-HB40+P**

Box with insulation* code: **SR-HB40+I**

Box with a damper and insulation* code:

SR-HB40+I+P

* MST MATS - synthetic rubber foam

Upon request:

Insulation Industrial Batts Black 80/15 Rockwool

MATERIAL

- galvanized steel

PRODUCT CHARACTERISTICS

- connections (spot embossments)
- built-in damper with SR+P mechanism
- individual size available upon request

PLENUM BOX DEDICATED VORTEX DIFFUSER HB40.

HB40 plenum box

Air diffuser size (mm)	A x A (mm)	H (mm)	Ød (mm)
295 x 295	153 x 153	240	123
370 x 370	232 x 232	300	158
445 x 445	308 x 308	350	198
520 x 520	384 x 384	350	248
595 x 595	455 x 455	400	248

HTC
AIR TREATMENT SYSTEMS