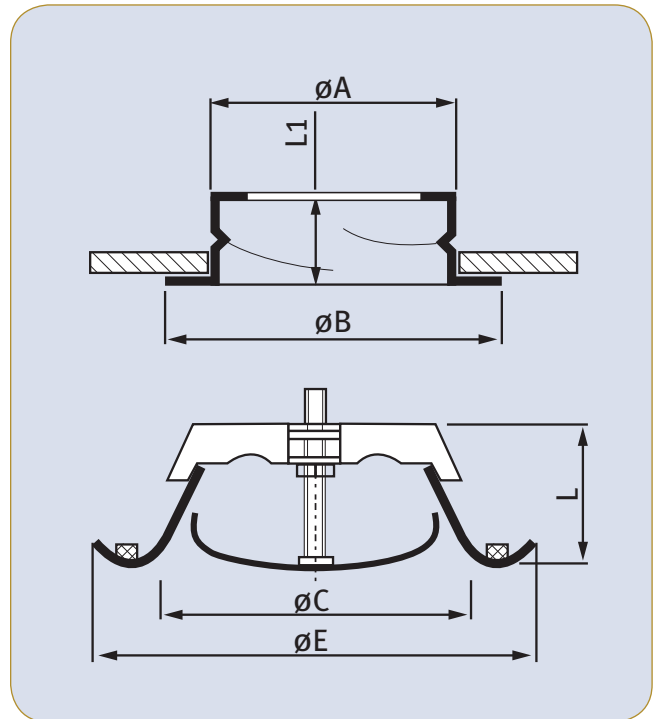


EXHAUST AIR VALVES EV-S (STAINLESS STEEL)



- Exhaust air valves designed for ceiling mounting on ventilation ducts
- Made of stainless steel
- Easy adjustment of air flow by rotating the central part
- Blocking nut allows for setting the minimum slot
- Special design ensures low noise level
- High manufacturing quality and modern design
- Long installation flanges make it easier to connect to the system
- Quick and easy installation
- Product has certificate of the National Hygiene Institute PZH

HTC
AIR TREATMENT SYSTEMS

EXHAUST AIR VALVES EV-S + INSTALLATION FLANGES KLL

Valve Dimensions	$\varnothing A$ (mm)	$\varnothing B$ (mm)	$\varnothing C$ (mm)	$\varnothing E$ (mm)	L (mm)	L1 (mm)
80	79	118	62	115	55	50
100	98	125	95	137	55	50
125	123	150	115	164	60	50
150	148	176	138	202	60	50
160	159	185	148	212	60	50
200	198	225	203	248	60	50

CHARACTERISTICS OF EXHAUST AIR VALVES EV-S

