

## MOUNTING AND CONNECTION PROCEDURE

1. To deenergize downloads of ac network.
2. To loosen a cover screw with a screwdriver and remove the cover (see Fig. 1).
3. To mark with a pencil dots for drilling (see Fig. 2).
4. To drill bores and to clout dowels into them (see Fig. 3).
5. To mount the thermostat to the wall with the screwdriver and screws. Electric buried cable is conducted through the hole in the case (see Fig. 4). To use the outer cable it is necessary to make a hole in the cover (see Fig. 5).
6. To skin ends of wires from insulation for 5-7 mm, to insert them to thermostat clamps jacks until the insulation abuts according to scheme chosen (see Fig. 7-9) and tighten with screws ends of wires in clamps (see Fig.6).
7. To put back the cover and tighten the screws on it (see Fig.10).
8. To set the required response temperature with the rotating knob (see Fig. 11).

## STORAGE GUIDANCE

Keep the thermostat in manufacturer's packing box in good ventilated premise with temperature ranged from +5°C to +40°C and relative air humidity not exceeding 80% (temperature +25°C).

## WARRANTY

Manufacturer guarantees normal operation of the product within 12 months starting from the moment of its sale in retail distribution network, but subject to observation of all transporting, storage, mounting and operation conditions.

Warranty does not apply to products with mechanical damage.

In case the date of sale is not marked, the period of guarantee is calculated from the date of manufacture. In case of any operation disturbances during the period of warranty that are caused by manufacturer, customer is entitled to demand replacement in accordance to Art. 14 par. 9 of the Law of Ukraine "On Protection of Consumers' Rights".

Address for replacement: 1 Kotsubynskoho Str., Kiev 01030.

## ACCEPTANCE CERTIFICATE

Product has been duly certified as serviceable.

Model  
"RT-10"

Manufactured on

Sold

(name of trading enterprise, stamp of store)

Approval mark

Date of sale

V50EN-01



## ELECTRIC THERMOSTAT

“VENTS RT-10”

### PURPOSE

Electric thermostat is aimed for automatic switch on/switch off of domestic fans when they reach preset temperature. Thermostat is mounted on a wall.

### BASIC SPECIFICATIONS

Electric supply voltage: 230V, 50-60 Hz.

For connection scheme on Fig. 7

- maximal current of active load not exceeding 10A;
- maximal current of inductive load not exceeding 3A.

For connection scheme on Fig. 8

- maximal current of active load not exceeding 6A;
- maximal current of inductive load not exceeding 2A.

Overall dimensions, not exceeding 84 \* 84 \* 35 mm.

Weight, not exceeding: 0.13 kg.

Level of protection from dust and moisture: IP40 (only from the front panel).

Operating conditions of controller: within the range from -10°C to +40°C at relative humidity not exceeding 80% (temperature +25°C).

The ambient air should not contain explosive and corroding agents.

### DELIVERY SET

1. Thermostat -1 piece;
2. Registration certificate;
3. Screws and self-tapping screws;
4. Packing box.

### SAFETY REQUIREMENTS

Controller should be connected by qualified electrician in compliance with the effective statutory documents.

Caution! All electric circuits of the controller are under voltage. All mounting and connection works are to be performed only after switching off the network voltage.

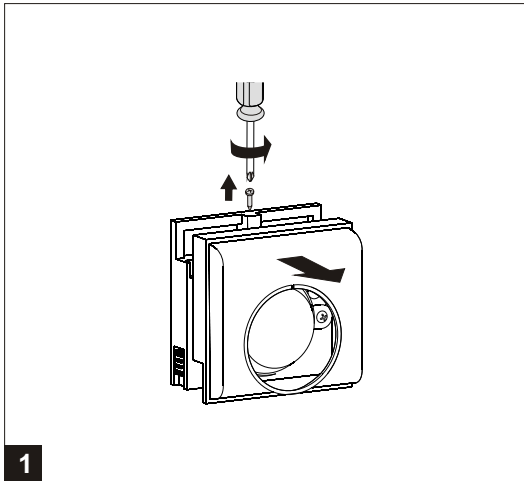
### MOUNTING AND OPERATION GUIDANCE

Controller is aimed for vertical indoor mounting. While mounting and operation it is forbidden to expose:

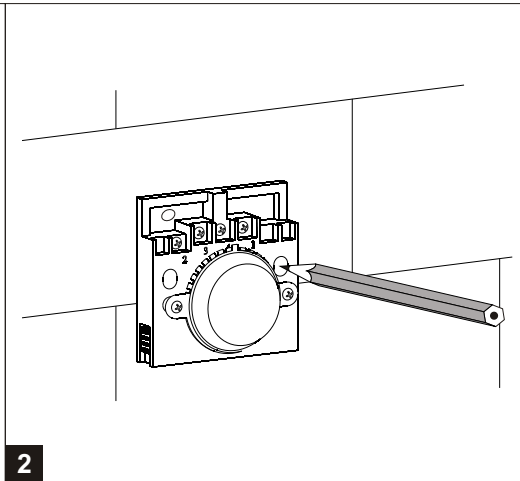
- to splashes and rain drops;
- to direct sun;
- next to heating units or other heat sources.

Controller should be connected to the ac network through the switch, built in fixed wiring, contact gaps should be not less than 3 mm on all poles.

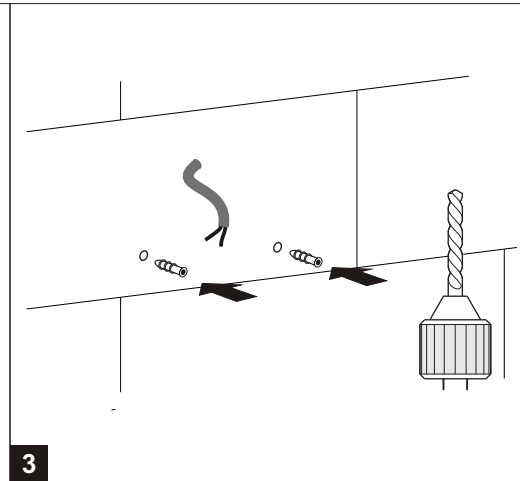
While connecting follow the schemes 7-9.



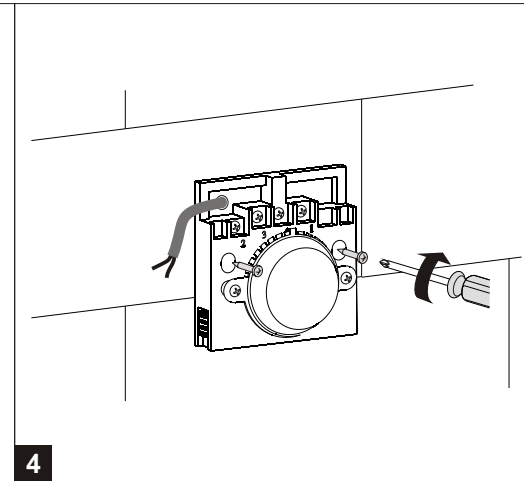
1



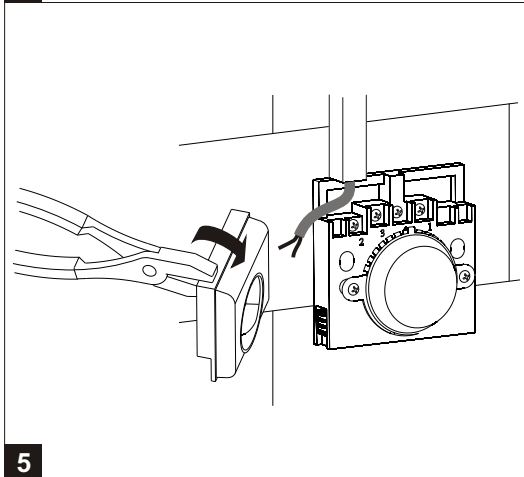
2



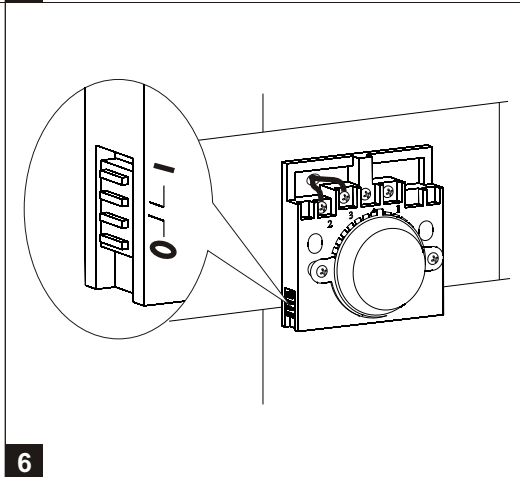
3



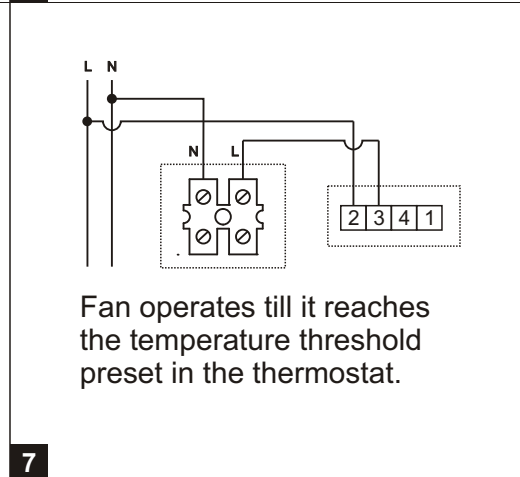
4



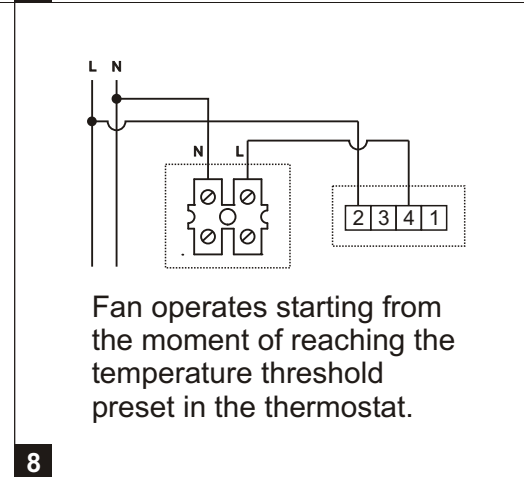
5



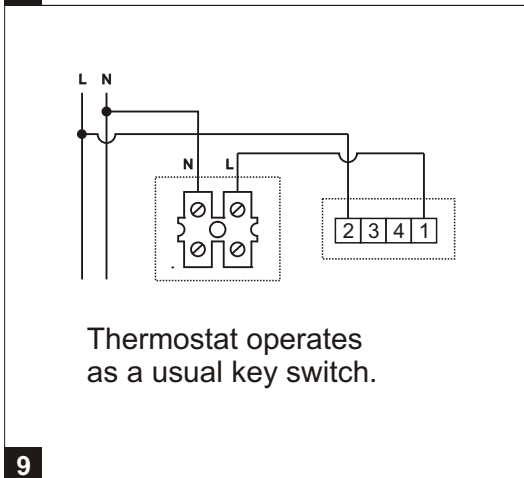
6



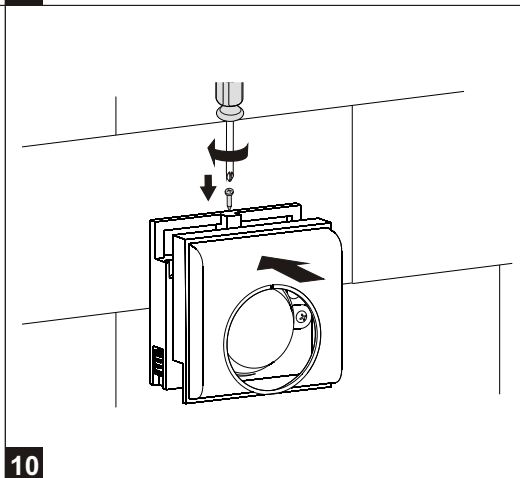
7



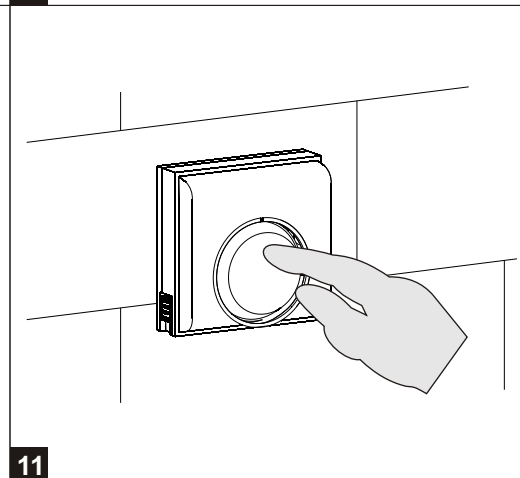
8



9



10



11