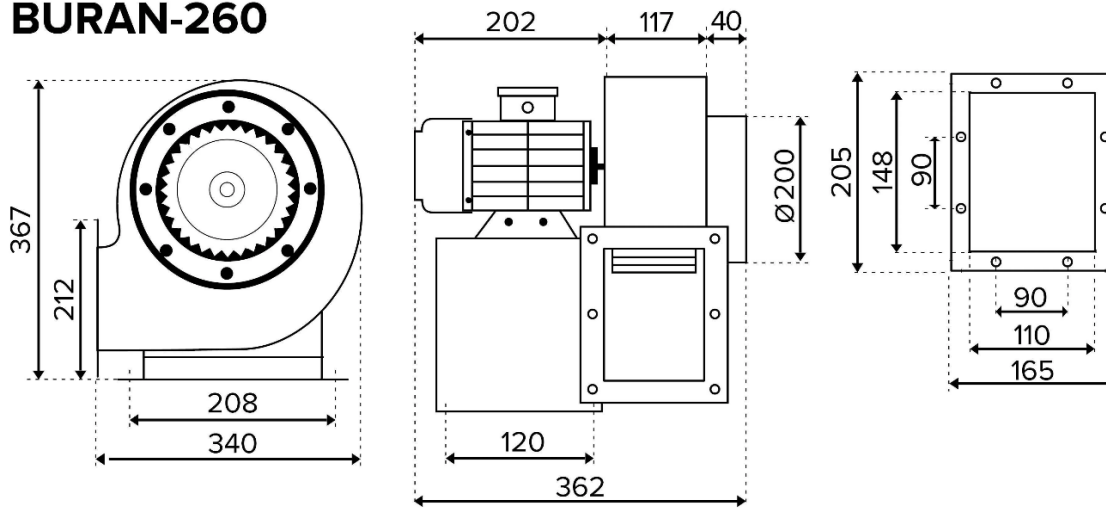


Buran 260 2K M L voor spuitwand / schuurtafel



Tekening

**BURAN-260**



Technische gegevens en grafiek

Article .....	BURAN 260 2K M L
Trade marks .....	ERA PRO
Material .....	Steel
Color .....	Grey
Protection class .....	IP 44
Height, mm .....	367
Width, mm .....	362
Depth, mm .....	340
Performance, M3 / H .....	2500
Noise level, DB (A) .....	53
Power consumption, w .....	750
Pressure, PA .....	1900
Voltage, V. ....	220
Accommodation .....	Wall-ground
Working mechanism .....	Radial
Principle of ventilation .....	Supply and exhaust
Control .....	Mechanical

Amperage 5,2 Amp

