

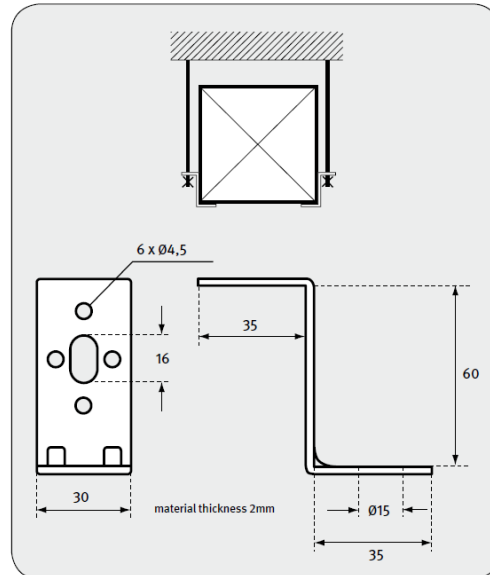
Z-Type ophanging met schokdemper

Z TYPE SUSPENSION



DESCRIPTION

For assembly of rectangular ventilation ducts with use of M8 and M10 threaded rods and self-drilling screws
Material – 2 mm thick galvanized steel tape
Material – stainless steel tape
Rubber shock absorber prevents transmission of vibrations from the ventilation system to building's structure.
Box – 100 pcs



HTC
AIR TREATMENT SYSTEMS

